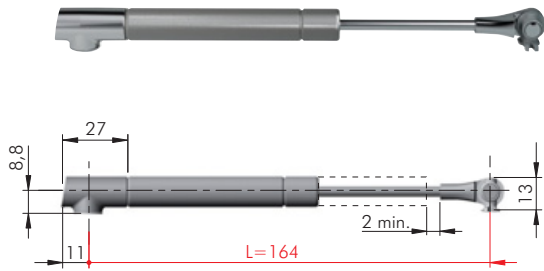


K12 SYSTEM L 164 Drop down

With standard unsprung hinges. Opening with handle.

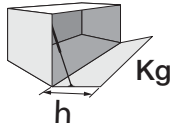


ZAnk EP ST

= 100 pcs.

48050200UZ

N
0



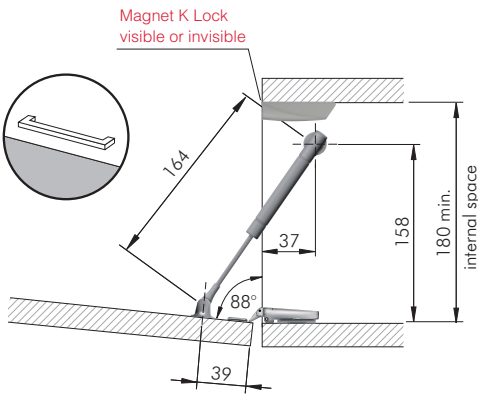
Rev. 01

h	Door weight (Kg)										
	1	2	3	4	5	6	7	8	9	10	11
200	1 x K12	2 x K12		3 x K12			4 x K12				
250	1 x K12	2 x K12		3 x K12		4 x K12					
300	1 x K12	2 x K12		3 x K12		4 x K12					

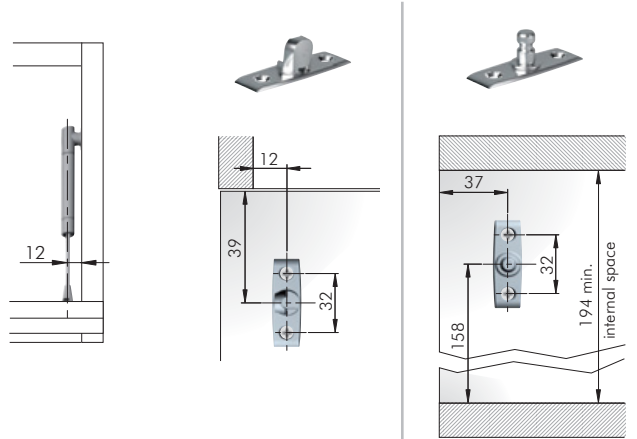
These are experimental results to be checked by the customer. **In accordance with the actual European regulation, we suggest to use at least two stays for each door.** Our technical department is at your disposal to test further cases out of this chart.



BRACKETS Ø15:



SCREW FIXING BRACKETS:



The dimensions of the drilling plan refer to carcasses which use **standard unsprung hinges** and mounting plates 0 mm. Please note that the opening angle shown data is purely indicative. It varies with respect to the hinge brand and adjustment carried out.