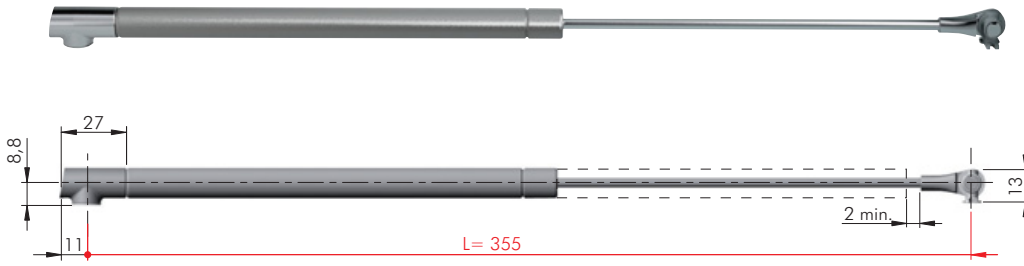


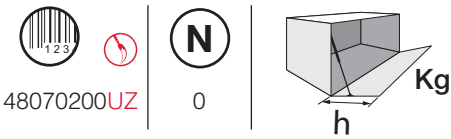
# K12 SYSTEM L 355 Drop down

With standard unsprung hinges. Opening with handle.



ZAnk EP ST

= 50 pcs.

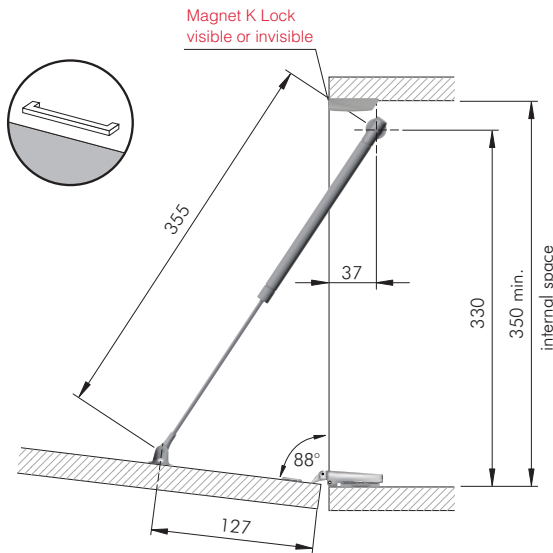


Rev. 01

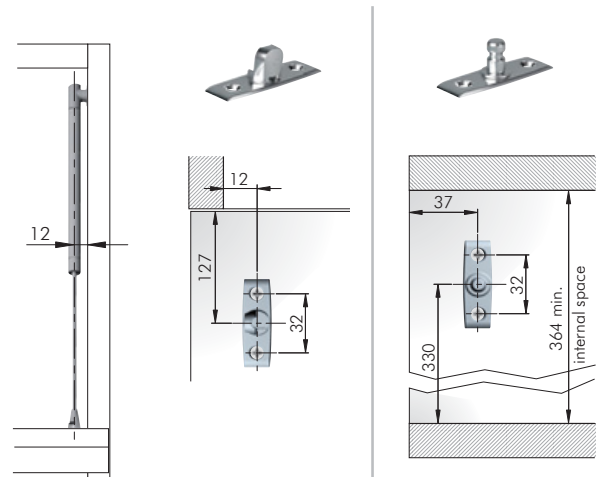
h	Door weight (Kg)																	
	1	2	3	4	5	6	7	8	9	10	11	12	13	14	15	16	17	18
400				1 x K12			2 x K12			3 x K12								
450				1 x K12			2 x K12			3 x K12			4 x K12					
500				1 x K12			2 x K12			3 x K12			4 x K12					
550				1 x K12			2 x K12			3 x K12			4 x K12					
600	1 x K12			2 x K12			3 x K12			4 x K12								

These are experimental results to be checked by the customer. **In accordance with the actual European regulation, we suggest to use at least two stays for each door.** Our technical department is at your disposal to test further cases out of this chart.

### BRACKETS Ø15:



### SCREW FIXING BRACKETS:



The dimensions of the drilling plan refer to carcasses which use **standard unsprung hinges** and mounting plates 0 mm. Please note that the opening angle shown data is purely indicative. It varies with respect to the hinge brand and adjustment carried out.

