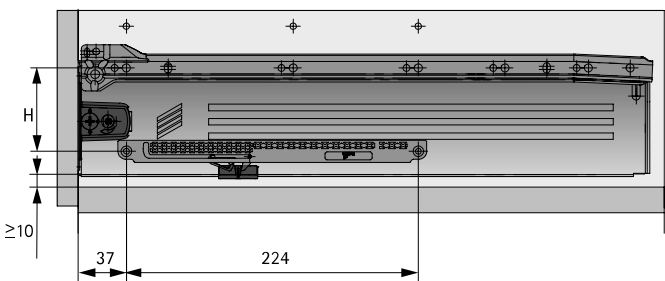
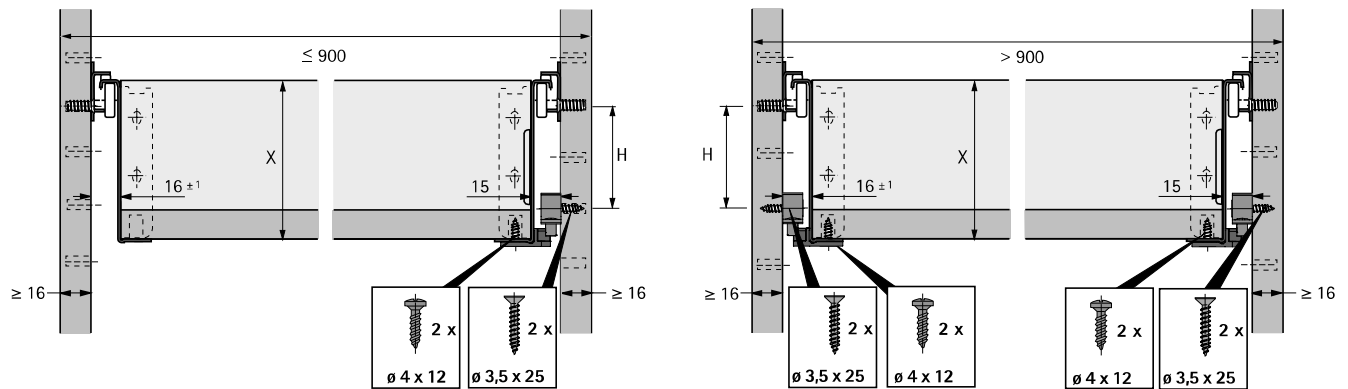


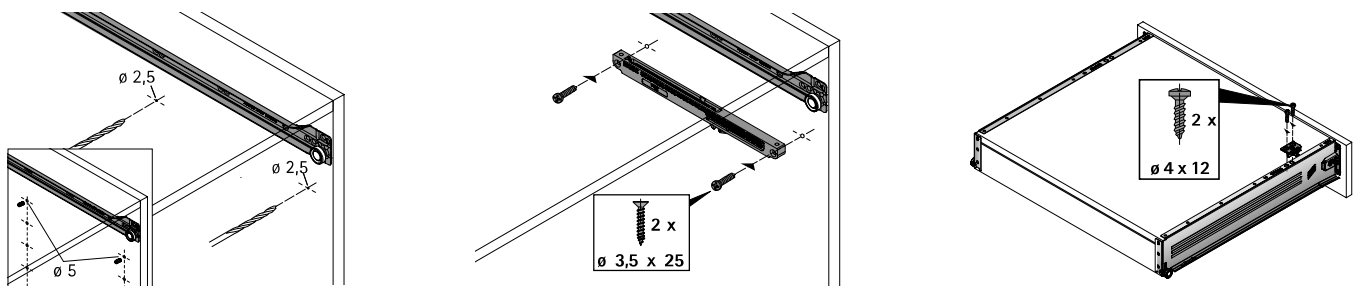
- ▶ Silent System soft closure
- ▶ Technical information

Planning dimensions, Silent System soft-closing mechanism



Height mm	Dimension H partial extension slide	Dimension H over extension runner
54	32	-
86	64	32
118	96	64
150	128	96
214	192	160

Installation, Silent System soft-closing mechanism, carcase width ≤ 900 mm



Installation, Silent System soft-closing mechanism, carcase width > 900 mm

