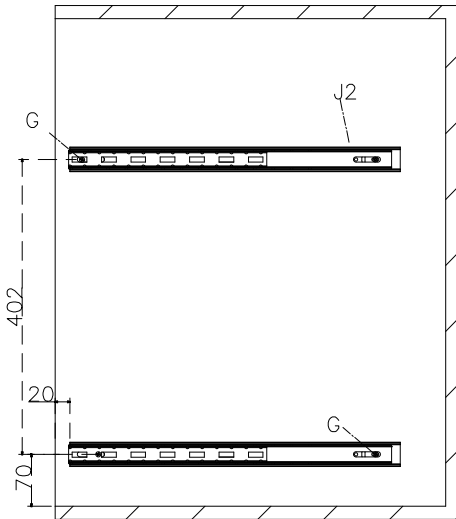
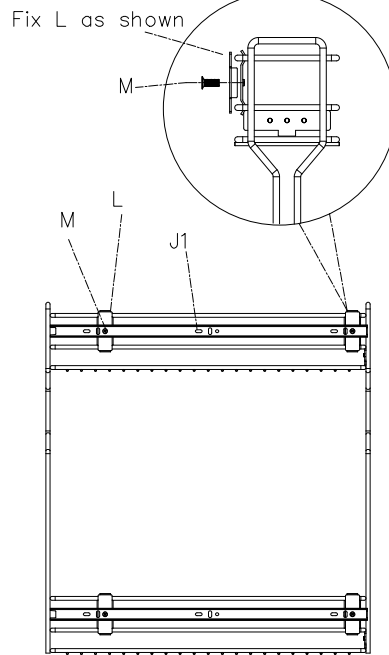


2. Installation of Ball bearing normal slide

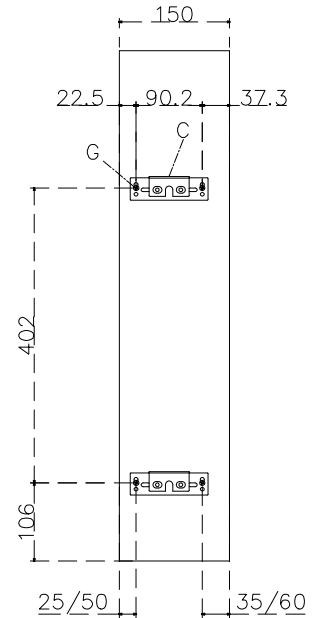
① Disassemble Slide J to two parts J1 & J2 and fix J2 on the cabinet's side panel as shown:



② Tighten L and J1 on the Basket A by M as shown:



③ Fix C on the door by G as shown:

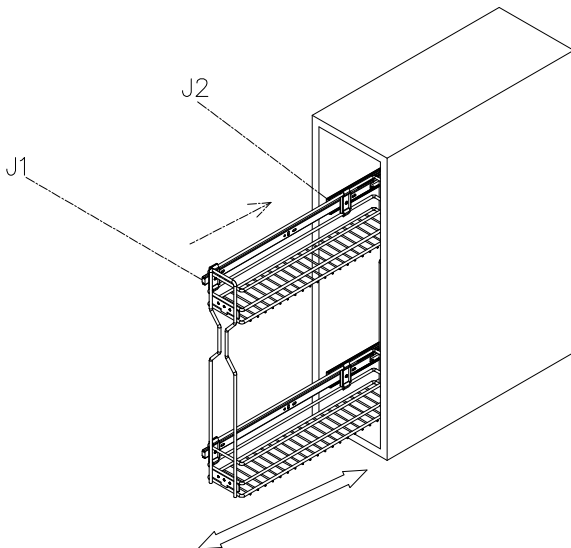


150MM
200MM

cabinet: 25
cabinet: 50

cabinet: 35
cabinet: 60

④ Assemble J1 into J2 and pull & open the basket for times to insure the slide in the right position.



⑤ Connect H with I by E & F as shown: Done!

